

Quality made simple.



ZEISS Axiovert 5

Your Smart Microscope for
Cell Culture and Research.

zeiss.com/axiovert



Seeing beyond

ZEISS Axiovert 5

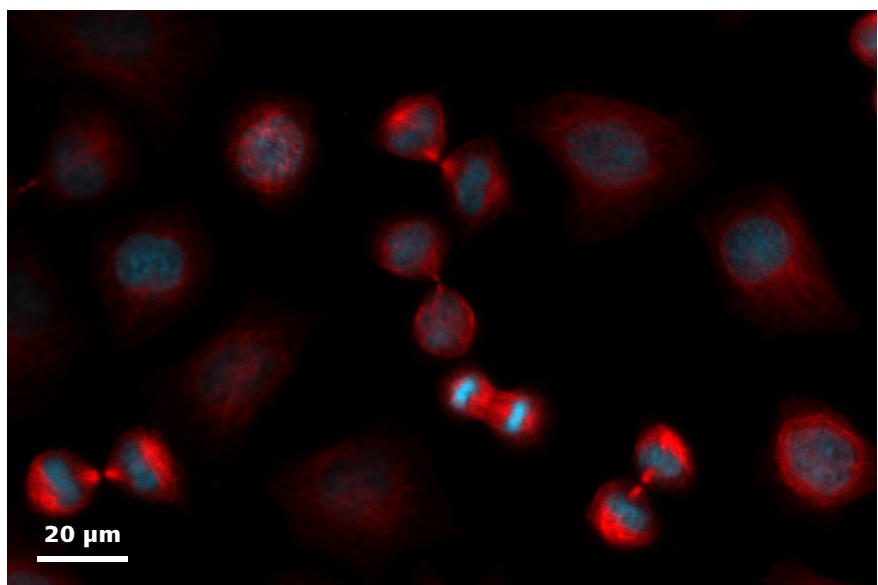
Your Smart Microscope for Cell Culture and Research.

Axiovert 5 brings smart microscopy into your cell culture lab. All you need to do is focus on your samples and workflow. Then simply push Snap to get crisp images for documentation. Use all standard contrasting techniques in transmitted light and combine them with multichannel fluorescence to investigate your cell or tissue cultures. And when space is tight, you can even use this smart microscope as a standalone and save your images on USB. No extra computer or software needed.

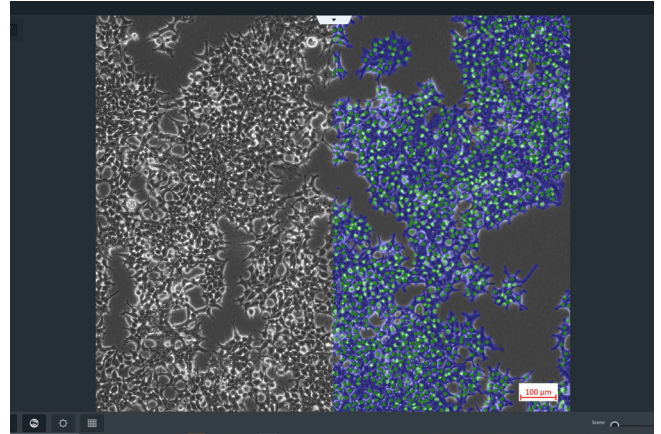


Be smart. Use Smart Microscopy.

ZEISS Axiovert 5 is very smart indeed, delivering excellent results with fast time to image. Simply focus your sample and press a single button to save a crisp image of your cell or tissue culture. For transmitted light and multichannel fluorescence images, this smart microscope automatically adjusts the settings and parameters for you. The overlaid multichannel fluorescence image includes the scaling information, which is automatically saved in the image file metadata.



*HeLa Kyoto cells acquired with ZEISS Axiovert 5, objective: 63x LD Plan Neofluar.
2-channel fluorescence image: nuclei in blue, tubulin in red.*



Go for a Future-Proof Cell Culture Microscope.

From routine cell culture to research, Axiovert 5 fits seamlessly into your lab and workflow. Various contrasting techniques—DIC, iHMC and phase contrast as well as multichannel fluorescence—open up a huge diversity of applications. Combine it with a compatible stage top incubator and you can even use Axiovert 5 for long-term live cell imaging. Should your work requirements change, Axiovert 5 will adapt, too. With upgradeable hardware and software, this smart microscope will always remain your reliable lab partner.

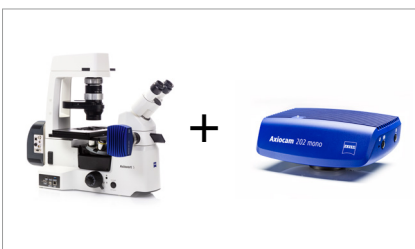
Relax. And enjoy your Daily Routine.

Axiovert 5 lets you stop counting the hours. Its ergonomic user concept and clever features support you throughout your daily work. Just keep your eye on your sample: you can access all the main controls with one hand, including the snap button, stage drive, focus adjustment and brightness control. The light manager provides uniform brightness at all magnifications, eliminating manual adjustments to the lamp intensity when you're changing objectives. To increase the speed and reliability of your cell procedures even more, opt for the AI Cell Confluency and AI Cell Counting modules in Labscope. You'll get instant, reproducible information on your cells.

Adapt ZEISS Axiovert 5 to Your Lab Space and Task.

If lab space is limited, just get rid of the PC and all that additional software: use Axiovert 5 in standalone mode and control the microscope via the OSD menu. For your daily checks, opt for Labscope, the imaging app from ZEISS. It's free, and all you need to do is download it on your tablet or Windows PC and you're ready for image acquisition. For more sophisticated experiments we recommend ZEN imaging software.

Stand-alone for Basic Routine Imaging



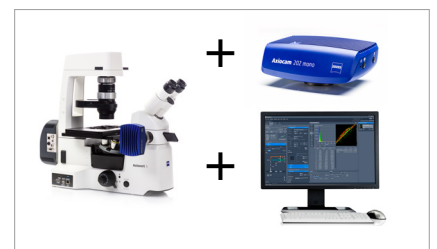
Digital documentation works even without a computer. Use an AxioCam microscope camera with ZEISS Axiovert 5 and control the system via the On Screen Display (OSD).

ZEISS Labscope for Advanced Routine Imaging



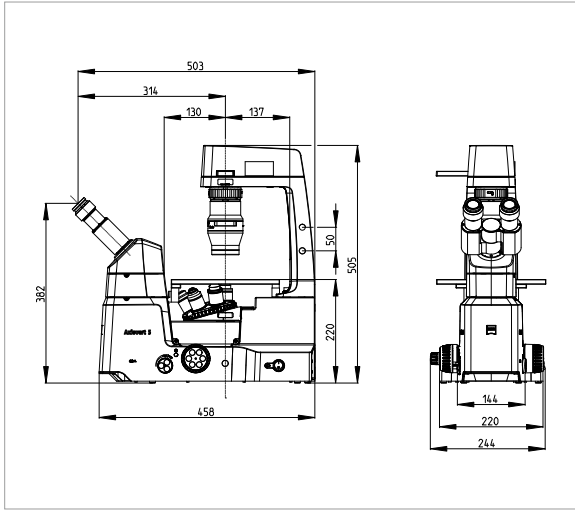
Operating ZEISS Axiovert 5 with ZEISS Labscope imaging software is ideal for connected microscopy and standard multichannel fluorescence imaging.

ZEISS ZEN for Research Applications

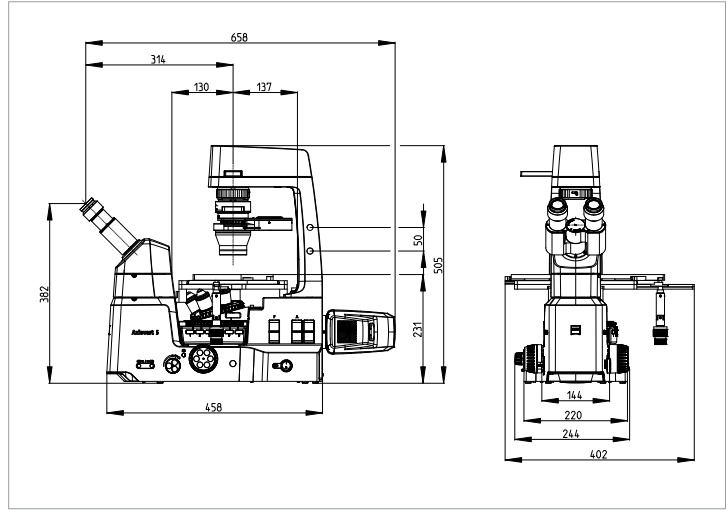


Use ZEN imaging software to perform advanced imaging tasks with ZEISS Axiovert 5.

Technical Data



ZEISS Axiovert 5 TL/TL SCB



ZEISS Axiovert 5 TL FL SCB

Weight and sizes	ZEISS Axiovert 5 TL	ZEISS Axiovert 5 TL SCB	ZEISS Axiovert 5 TL FL SCB
Dimensions	503 × 244 × 505 (L × W × H in mm)	503 × 244 × 505 (L × W × H in mm)	658 × 402 × 505 (L × W × H in mm)
Weight	11.0 kg	11.2 kg	12.2 kg

Air conditioning and quality

Temperature range for operation with indicated performance (24 h per day, regardless of whether the microscope is in operation or switched off)	5 – 40 °C
Relative humidity	< 80 % at 40 °C
Atmospheric pressure / altitude	800 to 1060 hPa / ≤ 2000 m above sea level
Pollution degree	2

Mains connection

Nominal AC voltage	L/N/PE 100 to 240 VAC ± 10 %
Nominal frequency	50/60 Hz
Max. current	1.4 A
Rating for microscope stand	24 VDC, 5 A
Protection Class	IP20 (IEC 60529)
Overvoltage category	II

Carl Zeiss Microscopy GmbH

07745 Jena, Germany
 microscopy@zeiss.com
 www.zeiss.com/axiovert