


PDS No. 6162xx	PRODUCT DATA SHEET				Page 1 of 1
Revision 13	Reaction Tube 1.5 ml				
	Greiner Item-No. 6162xx				
Valid for Item-No.:	616201	616261 (sterile)	616273	616274	616275
	616276	616283			

1.	Description / Specification	
1.1	Description	Reaction tube, 1.5 ml with attached cap, graduation and writing area, different colours 616201, -273, -274, -275, -276, -283: non-sterile 616261: sterile
1.2	Dimensions	See Customer Drawing
1.3	Volume	Total volume: 1.5 ml
1.4	Material / Resin	PP (Polypropylene), free of heavy metal
1.5	Colour	616201: natural 616261: natural 616273: red 616274: blue 616275: green 616276: yellow 616283: dark brown
1.6	Sterilization	616201, -273, -274, -275, -276, -283: no 616261: SAL ⁻³
1.7	Quality Control	- Raw Material-Control: physical testing - Product-Control: testing of attributive and variable characteristics in accordance with the valid specification
1.8	Intended Use	General laboratory product for the processing, centrifugation and storage of samples to be used by qualified personnel in a laboratory environment.
1.9	Other Information	- For single use only - Also suitable for Eppendorf centrifuges and systems

2.	Features	
2.1	Basic features	Free of detectable DNase/RNase, human DNA and pyrogens
2.2	Temperature range	616201, -261, -273, -274, -275, -276: for application: -80°C to +121°C 616283: for application: 80°C to +100°C
2.3	Autoclavability	616201, -261, -273, -274, -275, -276: yes 616283: no
2.4	Centrifugation, max. RCF	18.000 x g: fixed-angle rotor
2.5	Chemical Resistance	See homepage: https://www.gbo.com/en_INT/know-how-services/download-center.html
2.6	Shelf life	616201, -273, -274, -275, -276, -283: n/a 616261: 5 years
2.7	Other Information	-

3.	Packaging	
3.1	Pieces / Bag	500
3.2	Pieces / Box	4.000
3.3	Lot-No.	E YY MM XXX (manufacturing facility, year, month, consecutive SAP-No.)
3.4	Other Information	616261: Certificate of Quality to download

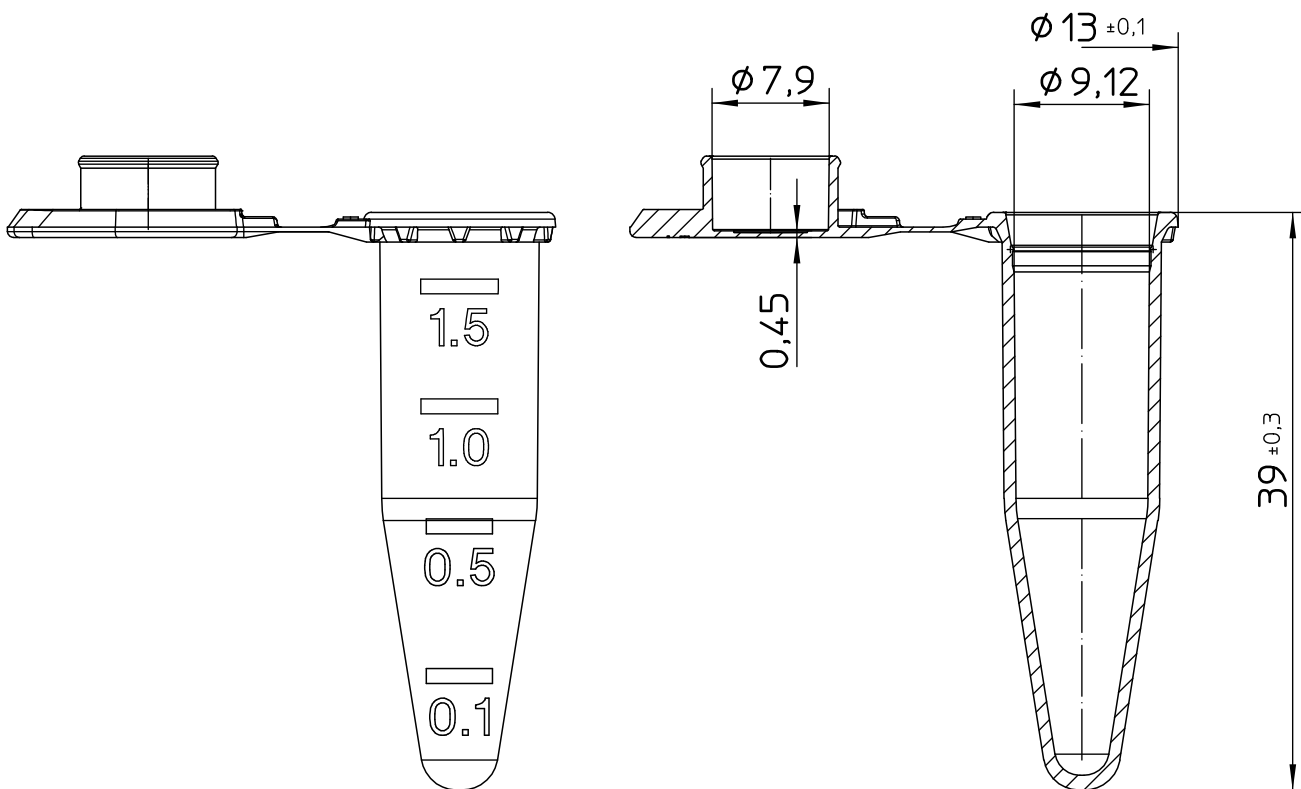
4.	Other Information
	-

Data Sheet subject to change without notice!

Prior Issue	Drawn	Approved	Released	CONFIDENTIAL: Information contained in this document or drawing is confidential and proprietary to Greiner Bio-One GmbH. This document may not be reproduced for any reason without written permission from Greiner Bio-One GmbH. All rights of design, invention, and copyright are reserved.
Revision 12	Date 20 February 2023	Date 21 February 2023	Date 21 February 2023	
Date 25.11.2021	Name S. Kaelberer	Name Dr. T. Schreiber	Name A. Illig	

DISCLAIMER: The description of a certain product can only be considered as a guidance, because its performance ultimately depends on what the product is used for. Very often performance studies are indispensable.

Valid for Item-No.: 616201, 616261, 616272, 616273, 616274, 616275, 616276, 616283



"All dimensions in mm"

Customer drawing subject to change without notice!

Uncontrolled Copy

Prior Issue	Drawn	Approved	Released	CONFIDENTIAL: Information contained in this document or drawing is confidential and proprietary to Greiner Bio-One GmbH. This document may not be reproduced for any reason without written permission from Greiner Bio-One GmbH. All rights of design, invention, and copyright are reserved.
Revision	Date	Date	Date	
2	2011/05/16	2022/11/16	2022/11/16	
Date	Name	Name	Name	
2012/07/09	forb	forb	kleber	